

## PNEUMATIC PRESSES

P-UB  
P-CPB



### TWO MODELS:

**UNIVERSAL BUCK: P-UB.**

**BUCK FOR COLLARS AND CUFFS: P-CPB.**

- Up steaming lower buck on both models.
- Lowering of the upper buck controlled by two push buttons.
- Available with or without built-in boiler.
- Available with or without built-in air compressor.
- All models equipped with a vacuum unit.
- ready to be connected to central steam and air supply.
- Air working pressure: 6-7 bar
- Steam working pressure: 4-5 bar
- Connection: 230/400V III 50-60Hz

### PRESS MODEL UB

- Utility buck, up-steaming lower buck and upper buck, optional polished upper buck.
- Board dimensions : 1.170 x 360 x 220 mm.

### PRESS MODEL CPB

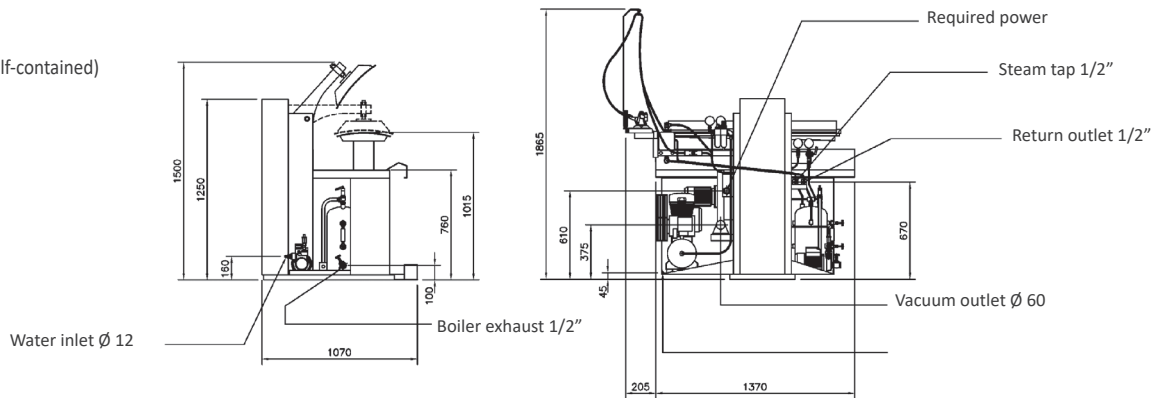
- Collar & Cuffs bucks, up-steaming lower buck.
- Polished upper buck.

## OPTIONS

- Built-in electric steam boiler 16 Litres (12 kW).
- Built-in air compressor 2 HP.
- Group of iron + pedal.
- Spray gun for steam.
- Polished upper buck for laundry, not up-steaming (UB model).

TECHNICAL DATA	UNIT.	UB		CPB	
		WITH BOILER	WITHOUT BOILER	WITH BOILER	WITHOUT BOILER
<b>GENERAL DETAILS</b>					
Board dimensions	mm	1.170 x 360 x 220	1.170 x 360 x 220	940 x 160	940 x 160
Boiler capacity	l	16	-	16	-
Compressor	-	Opt	Opt	Opt	Opt
Group of Iron	-	Opt	Opt	Opt	Opt
Steam gun	-	Opt	Opt	Opt	Opt
Polished upper buck	-	Opt	Opt	Opt	Opt
<b>POWER</b>					
Vacuum Motor	HP	0,6	0,6	0,6	0,6
Pump Motor	HP	0,75	-	0,75	-
Compressor motor (Mod. with option)	HP	2	2	2	2
Boiler Heater (Mod. with option)	kW	12	-	12	-
<b>CONNECTIONS</b>					
Ø Water inlet	BSP	3/8"	-	3/8"	-
Ø Boiler exhaust (mod. with boiler)	BSP	1/2"	-	1/2"	-
Ø Steam inlet	BSP	-	1/2"	-	1/2"
Ø Condensate outlet	BSP	-	1/2"	-	1/2"
Steam pressure	BAR	4-5	4-5	4-5	4-5
Steam Consumption	Kg/h	12-20	12-20	12-20	12-20
Ø Air inlet	BSP	-	3/8"	-	3/8"
Ø Air pressure	BAR	6-7	6-7	6-7	6-7
Ø Air Consumption	Nl/m	40	40	40	40
<b>DIMENSIONS / PACKING DIMENSIONS</b>					
Width / Width	mm	1.370/1.440	1.370/1.440	1.370/1.440	1.370/1.440
Depth / Depth	mm	1.080/1.110	1.080/1.110	1.080/1.110	1.080/1.110
Height / Height	mm	1.250/1.410	1.250/1.410	1.250/1.410	1.250/1.410
Net weight / Gross weight	kg	292/342	237/287	292/342	237/287
Gross volume	m <sup>3</sup>	2,25	2,25	2,25	2,25
<b>OTHERS</b>					
Voltage	Hz	230/400V III 50-60	230/400V III 50-60	230/400V III 50-60	230/400V III 50-60
Sound level	dB	70	70	70	70

UB / CPB  
WITH BOILER (self-contained)



UB / CPB  
WITHOUT BOILER

