

COMPACT FLATWORK IRONERS

SP800-2600
SP800-3300

FEATURES

These flatwork ironers are available in 2 working width: 2m60 and 3m30 and 3 types of heating: electric, gas or steam. They are specially designed for the hospitals and hotels laundries where great quantity of linen should be handle in a shortest time possible.

SP models dries and irons and are equipped with a lengthwise folder making up to two length folds in 1 or 2 lanes.

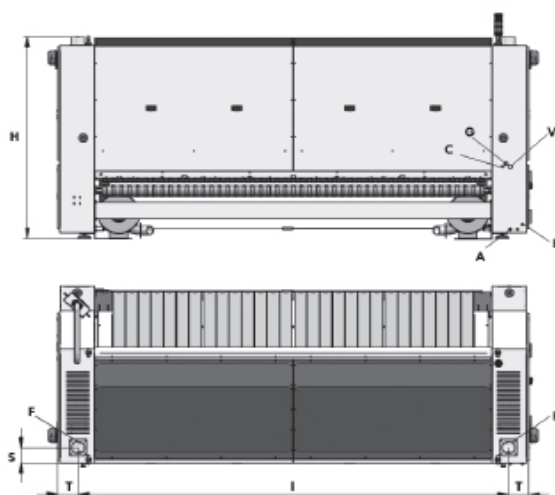


- Roll sizes: 2m60 and 3m30 wide and 800 mm diameter.
- One or two working lanes : one lane for bedsheets and two lanes for tablecloths and small pieces.
- 1 or 2 length folds in two independent lanes.
- Folding by photocells and compressed air.
- Frequency inverter.
- Feeding and ironing by Nomex quality belts.
- Panels in white painted steel.
- Polished steel roll with fingers guard.
- Touch screen control: programs can be created with speed control (between 3 and 13 m/min) and temperature.
- Big output capacity: depending on the residual moisture of the linen, up to 220 kg/h straight from a high spin washer extractor.
- Electric, gas or steam heating
- Two versions of gas heated models:
 - gas with atmospheric burners,
 - gas with radiant burners
- **25 % gas consumption savings and 25 % more production**
- Powerful exhaust system

OPTIONS

- Vacuum feeding belts
- Automatic 1 lane clamp feeder with vacuum feeding belts
- Rear exit, by-pass included.
- Motorized rear exit - height 850 mm (rear exit included)
- Small pieces back collector 2 lanes + by-pass included
- Small pieces back collector 4 lanes + by-pass included
- By-pass.
- Double air pressure in length folds for thicker linen.
- Linen reject system (dirty or torn).
- Cross folder + stacker for SP800-2600
- Cross folder + stacker for SP800-3300
- Special voltage

TECHNICAL DATA	UNIT.	SP800-2600	SP800-3300
GENERAL DETAILS			
Theoretical production (45%) humidity	Kg/h	140-175	180-220
Ø Roll	mm	800	800
Working width	mm	2.600	3.300
Height floor-feeding	mm	970	970
Working speed	mt/min	3-13	3-13
Control type	-	Touch	Touch
Programmes	Nº	20	20
FOLDING			
1 lane - Primary fold	Nº	1-2	1-2
1 lane - Cross fold	Nº	-	-
2 lanes - Primary fold	Nº	1-2	1-2
2 lanes - Cross fold	Nº	-	-
POWER			
Heating power (electric model)	kW	75	75
Total electric power (electric model)	kW	77,2	77,2
Heating power (gas model)	kW	89	127
Total electric power (gas model)	kW	2,2	2,2
Heating power (steam model)	kW	85	110
Total electric power (steam model)	kW	2,2	2,2
CONNECTIONS			
Ø Gas inlet	BSP	1"	1"
Ø Steam inlet	BSP	1"	1"
Ø Condensed (Steam model)	BSP	1/2"	1/2"
Ø Air inlet	mm	12	12
DIMENSIONS / PACKAGING DIMENSIONS			
Width / Width	mm	3.786 / 3.870	4.486 / 4.570
Depth / Depth	mm	1.770 / 1.860	1.770 / 1.860
Height / Height	mm	1.980 / 2.230	1.980 / 2.230
Weight / Weight	Kg	2.535 / 2.885	2.835 / 3.335
Volume	m3	13,27 / 16,05	15,72 / 18,96
OTHERS			
No. Fume outlet	Nº	2	2
Ø Fume outlet	mm	120	120
Air flow	m3/h	2 x 1.000	2 x 1.000
Air Consumption (6,5 Bar)	NI/h	9.000	9.000
Sound Level	dB	70	70



- A. Compressed air
- C. Condensation discharge (steam heating)
- E. Electrical connection
- F. Fumes discharge connection
- G. Gas inlet (gas heating)
- V. Steam inlet (steam heating)

	H	I	T	S	A	C	E	F	G	V
SP800-2600	1.966	3.242	186	152	Ø 12	1/2"	5 x 2,5	Ø 120	1"	1"
SP800-3300	1.966	3.942	186	152	Ø 12	1/2"	5 x 2,5	Ø 120	1"	1"