

PULLMAN BARRIER WASHER

AS 100 ET2



EASY TOUCH 2

- User friendly and fully programmable 7" screen,
- USB connection. PC software free of charge for programming, traceability, data analysis...
- Remote communication ready,
- 37 available languages,
- 8 dosing signals as standard,
- WET CLEANING, Traceability as standard.



OUTSTANDING FEATURES

- Double display as standard,
- Automatic positioning of drum with motor brake,
- 3 water inlets,
- 2 drain valves,
- Body in AISI 430 stainless steel,



ERGONOMICS

- Wide doors opening (drum 900 x 500 mm, vat 960 x 700 mm),
- Pullman partition of drum: better balanced.
- Loading height 960 mm (door bottom)



CONNECTIVITY

- Remote communication ready as standard,
- Management of the laundry : equipped with RS-485 port for external management with Danube Software or others



EFFICIENCY

- Intelligent weighing system,
- Optimal loading: water and chemicals adapted to the load,
- High G force 325
Reduced residual moisture, reduced drying time



EASY MAINTENANCE

- Easy access to all components,
- all connections protected from water and detergents,
- Central drain as standard,
- Technical menu: statistics, alarms, traceability...



OTHERS

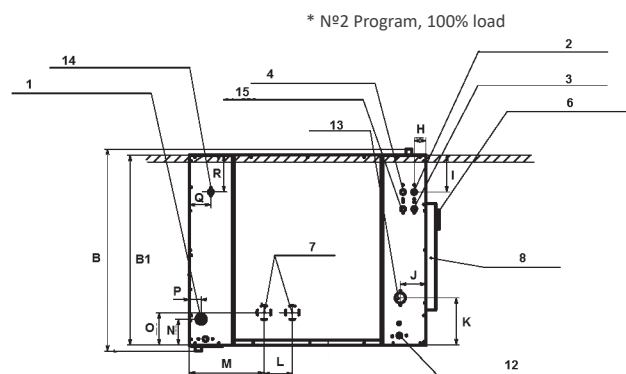
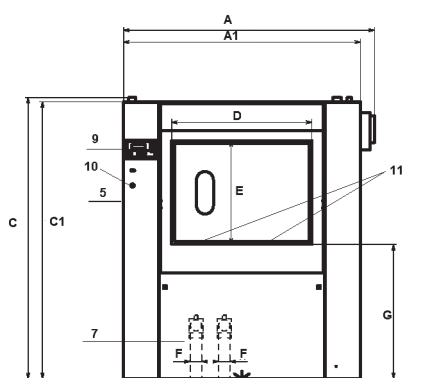
- Pass-through barrier washer with 2 opposed doors,
- Drum and vat in AISI 304 stainless steel,
- Free standing: no need to be anchored to the floor,
- 3 water inlets,
- Ready to be connected to dosing pumps as standard,
- Imbalance electronic control with frequency inverter + mechanical sensors
- Air operated doors opening: compressed air required (50 lt compressor, air working pressure 7 bar).



OPTIONS

- Titration valve.
- Dual electric / steam heating.
- Relay card with 6 extra dosing signals: total of 14 signals.
- Stainless steel sanitary frame with rubber.
- 4 compartments detergent box kit.
- UPS kit to release drum brake in case of power failure.
- Printer.
- Danube Online communication kit.
- Ship voltage for electric model: 440V III 50/60 Hz no neutral

TECHNICAL DATA	UNIT.	AS 100 ET2	
DRUM			
Capacity 1:9 / 1:10	Kg	100 / 90	
Volume	l	900	
Diameter	mm	1.050	
Depth	mm	1.032	
Number of compartments	Nº.	2	
GENERAL DETAILS			
Washing speed / Spining speed	r.p.m.	45 / 750	
G Factor	-	325	
Maximum force transmitted	KN	25,27 ±5,87	
Frequency-dynamic force	Hz	12,5	
Sound level	dB	< 70	
Double drain	-	Std	
Weighing System	-	No	
DOOR			
Height base door	mm	960	
Drum / vat opening dimensions	mm	900 x 500 / 960 x 700	
POWER			
Motor	kW	15	
Electric heating	kW	60	
Max. power (Electric model)	kW	75	
Max. power (Hot water model)	kW	-	
Max. power (Steam model)	kW	15	
CONNECTIONS			
		ELECTRIC	STEAM
Tension 230V- I + N + T	Nº x mm2 / A	-	-
Tension 230V- III + T	Nº x mm2 / A	-	3 x 2,5 / 20A
Tension 400V- III + N + T	Nº x mm2 / A	4 x 50 / 160A	4 x 1,5 / 16 A
Steam inlet (Steam mod.)	inch	3/4"	
Maximum steam consumption (Steam mod.)	Kg/h	34,2	
Water inlet	inch	1"	
Water main pressure	Kgs/cm ²	3-5	
Maximum water consumption*	Lit/h	900*	
Air inlet	mm	8	
Air consumption	Nl/min	10	
Drain	mm/inch	2 x 3"	
Drainage capacity	Lit/min	2 x 200	
DIMENSIONS / PACKING DIMENSIONS			
Width / Width	mm	1.677 / 1.900	
Depth / Depth	mm	1.344 / 1.500	
Height / Height	mm	1.960 / 2.230	
Net weight / Gross weight	kg	1.900 / 1.958	
Volume	m ³	6,36	



- * N°2 Program, 100% load
01. Electrical connection
 02. Hot water
 03. Cold water
 04. 3rd water inlet (option)
 05. Main switch
 06. Liquid soap inlet
 07. Drain
 08. Soap box
 09. Control panel
 10. Emergency stop button
 11. Door opening
 12. Steam inlet
 13. Vent
 14. Compressed air
 15. Water for soap box

	A	B	C	A1	B1	C1	D	E	F	G	H	I	J	K	L	M	N	O	P	Q	R
AS 100	1.777	1.429	1.990	1.677	1.344	1.960	992	734	80	951	82	262	183	333	200	530	183	230	83	152	262

<https://www.danube-romania.ro>
office@danube-romania.ro

